

# Data Sheet

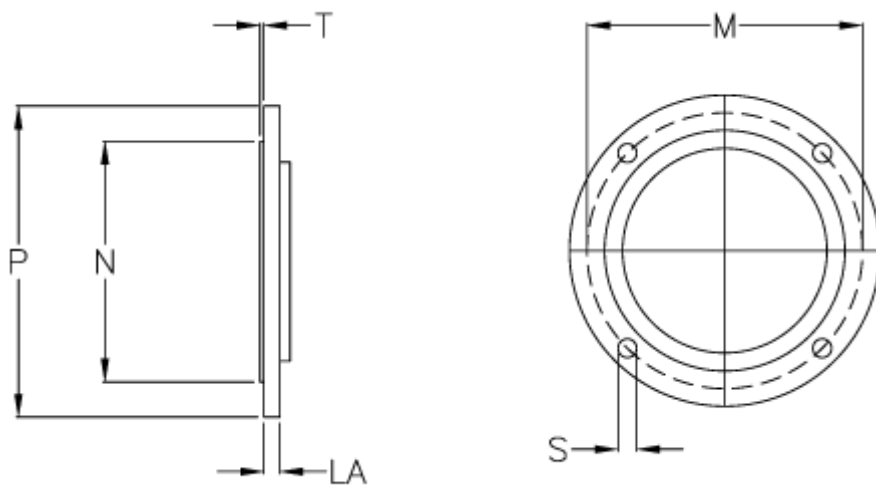


Article number: 259611203050

Description: Flange B5  
for Bonfiglioli motor size BN 112

## Measures

---



LA = 15.0

M = 215

N = 180

P = 250

S = 14

Size = BN 112 B5

T = 4.0